



PHARMA MACHINERIES

Tablet Dies & Punches



RIDDHI PHARMA MACHINERY LTD.

CIN: U33112GJ1995PLC028504

Manufacturer & Exporters of Pharmaceutical Machineries

MUMBAI OFFICE: Om-shivam soc., Tarun Bharat Bldg. No.2, Opp. Cigarette Factory, Sahar Road, Andheri (East), Mumbai - 400 099. Maharashtra, India Tel.: +91-22-28321332 / 28382479

Mobile: +91- 9821018579 / 9969994187 Email: hkshah@riddhipharma.com / riddhipharma@yahoo.com

Web : www.riddhipharma.com / www.riddhipharma.net

REGD. OFFICE & FACTORY : Riddhi Estate, Gulab Nagar, Opp. AEC, Amraiwadi, Ahmedabad - 380026. India.





PHARMA MACHINERIES



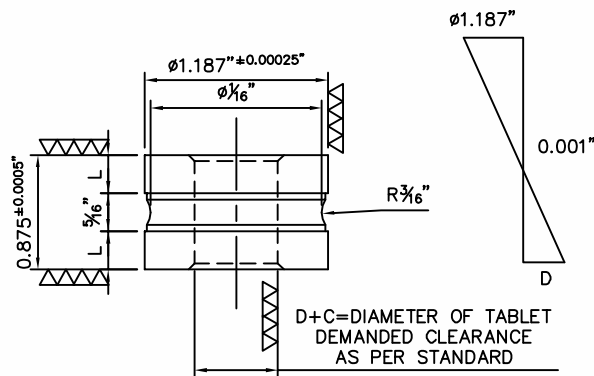
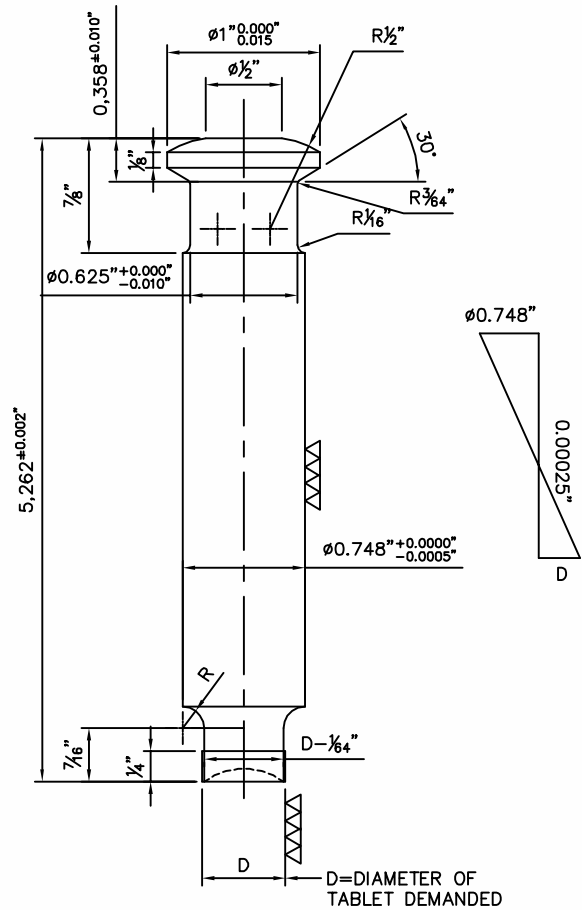
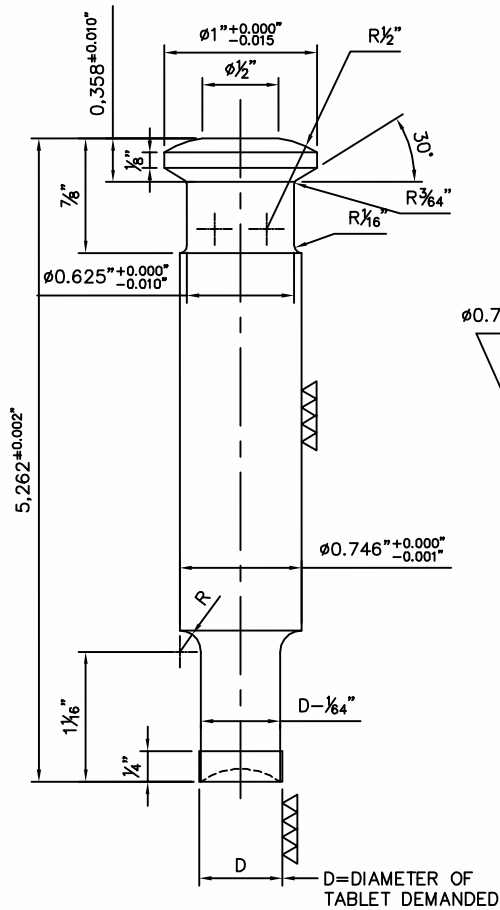
Riddhi Pharma Machinery Ltd

Ø1.187 STANDARD DIE AND Ø¾" STANDARD

'B' TYPE

LOWER PUNCH

UPPER PUNCH



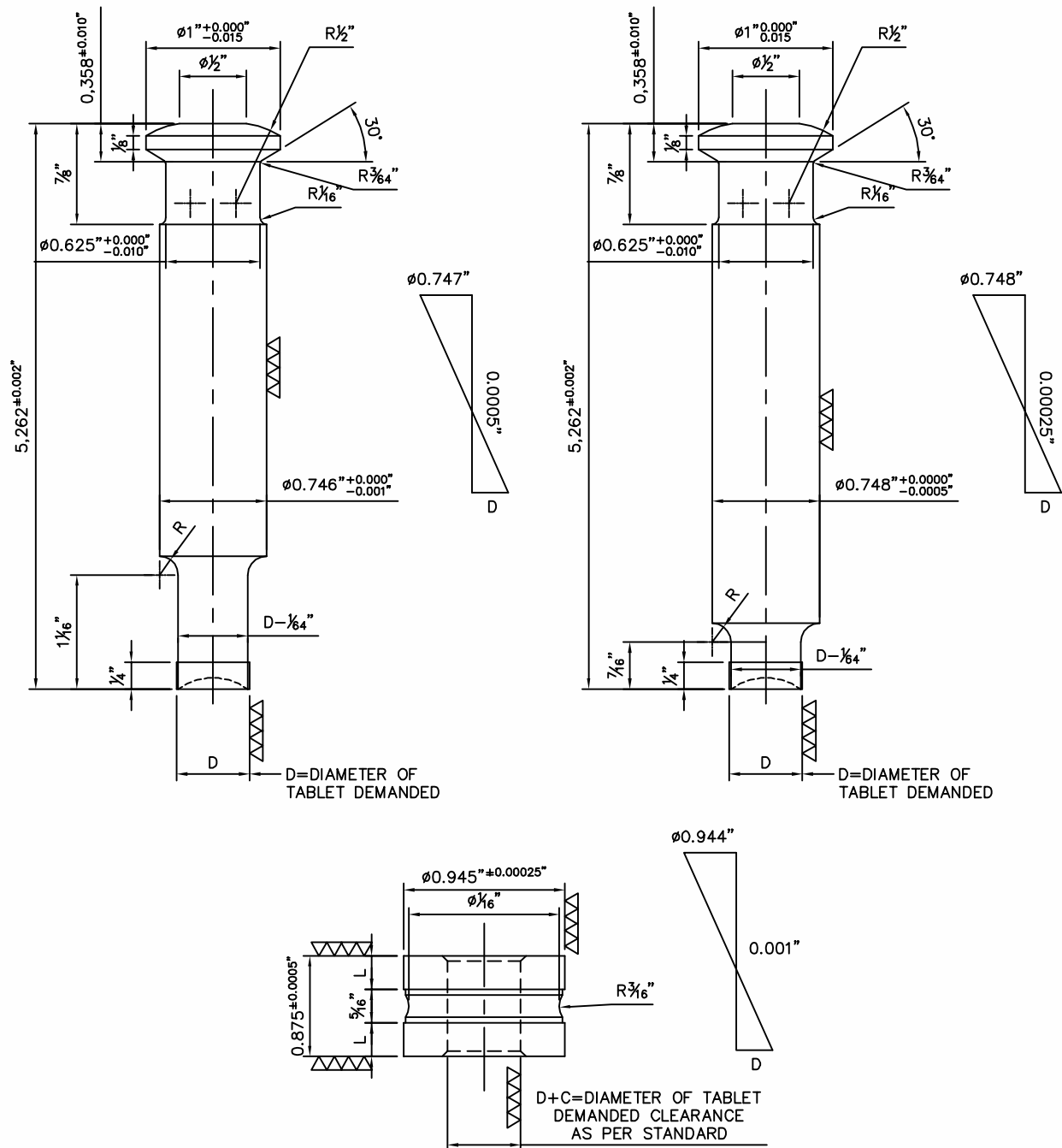
Riddhi Pharma Machinery Ltd

$\phi 0.944$ STANDARD DIE AND $\phi \frac{3}{4}$ STANDARD

'BB' TYPE

LOWER PUNCH

UPPER PUNCH





TABLET PUNCHES & DIES

We offer solution with pharmaceutical industry demands in mind. Our high quality punches and dies support tablet manufacturing on a daily basis. Our high quality and expedited deliveries are well known making us a leader in the industry. We manufacture punches and dies with quality and cost in mind. Our valuable experience and ability to troubleshoot allows us the ability to improve on original designs.

We are confident in our commitment to continually offer our customers the newest technological advances at a fraction of the expected cost. We pass these savings along to our customers with their demands and expectations in mind. Our stringent incoming steel quality control procedures are as strict as most pharmaceutical raw material quality programs. No steel is cut before laboratory analysis to confirm the quality. This assures confidence that we are providing our customers with punches and dies made of finest materials to extend the life of our punches and dies. Our precise tools manufactured by latest CNC technology, CNC & PLC grinding machines. Our well finished Die & punches are finished by German make Lapping machines. Our facilities include the latest "state of the art" production and quality-control equipments, allowing us to meet our customer's highest specifications, while at the same time, assuring quick delivery. We have achieved an international reputation for high-quality performance and reliability.

Used of latest CAD system coupled with our expert design engineers allows both simple and complex designs to be rapidly developed and processed ensuring complete repeatability and accuracy. Fully documented inspection reports are produced at all the steps of manufacturing of the Tools, which confirm that your order has been inspected and is in accordance with the contract conditions.



RIDDHI PHARMA MACHINERY LTD.

CIN: U33112GJ1995PLC028504

Manufacturer & Exporters of Pharmaceutical Machineries

MUMBAI OFFICE: Om-shivam soc., Tarun Bharat Bldg. No.2, Opp. Cigaratte Factory, Sahar Road, Andheri (East), Mumbai - 400 099. Maharashtra, India Tel.: +91-22-28321332 / 28382479
Mobile: +91- 9821018579 / 9969994187 Email: hkshah@riddhipharma.com / riddhipharma@yahoo.com
Web : www.riddhipharma.com / www.riddhipharma.net

REGD. OFFICE & FACTORY : Riddhi Estate, Gulab Nagar, Opp. AEC, Amraiwadi, Ahmedabad - 380026. India.

